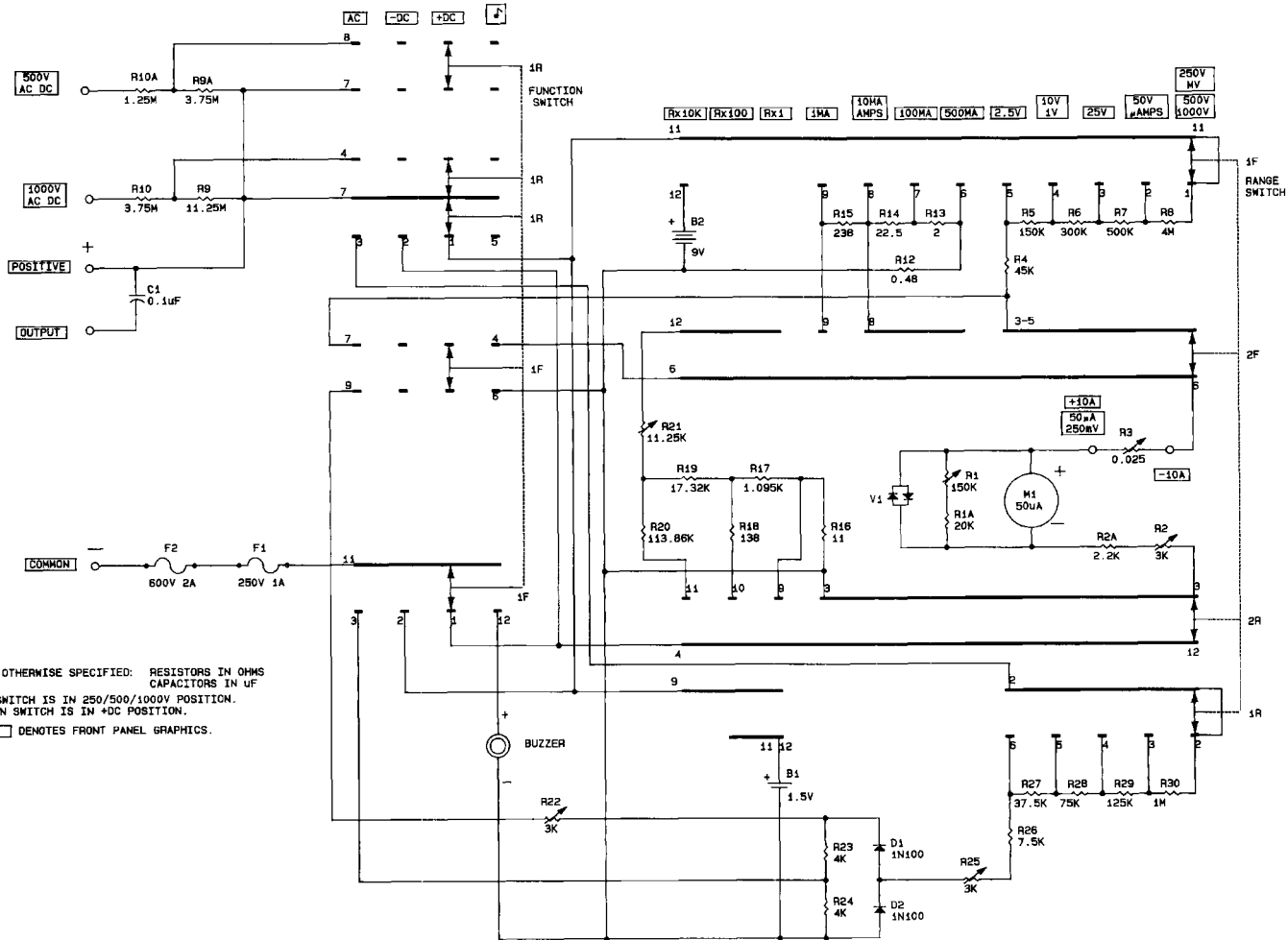


Figure 6-1. Schematic Diagram, Model 260-8X1



**NOTES:**

1. UNLESS OTHERWISE SPECIFIED: RESISTORS IN OHMS CAPACITORS IN UF
2. RANGE SWITCH IS IN 250/500/1000V POSITION. FUNCTION SWITCH IS IN +DC POSITION.
3.  DENOTES FRONT PANEL GRAPHICS.